



# CODEC PRODUCTS

Intersil's video CODEC products provide the best encode/decode performance for high processing demand in video recording/playback applications.

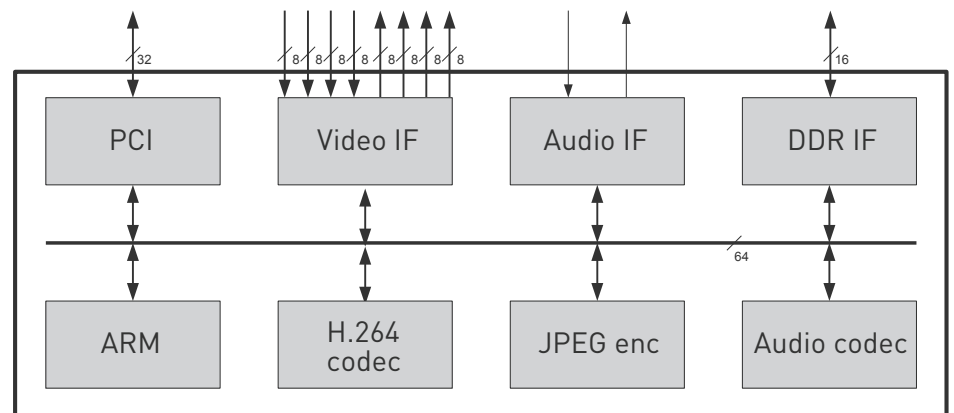
## Features and Performance Comparison

	TW2809C	TW2819	TW5864	TW5866
D1 Encoding	8 D1	16 WD1	4 D1	9 D1
D1 Decoding	8 D1	4-CH (SD or HD)	N/A	8 D1
HD Encoding Capability	1x 1080p30	3 x 1080p30	N/A	2x 720P30
HD Input Capability	2 channels	8 channels	N/A	2 channels
HD Mux Capability	None	NA	Simple	Simple
Host Interface	PCI 33/66MHz	NA	PCI 33/66MHz	PCI 33/66MHz
Video Eecoder Embedded	None	None	4-CH	8-CH

### TW2809C: Multichannel H.264 audio / video CODEC

- Real time 9D1 H.264 MP CODEC
- Real time 1080p/30 encode
- Real time 32-channel CIF full duplex CODEC

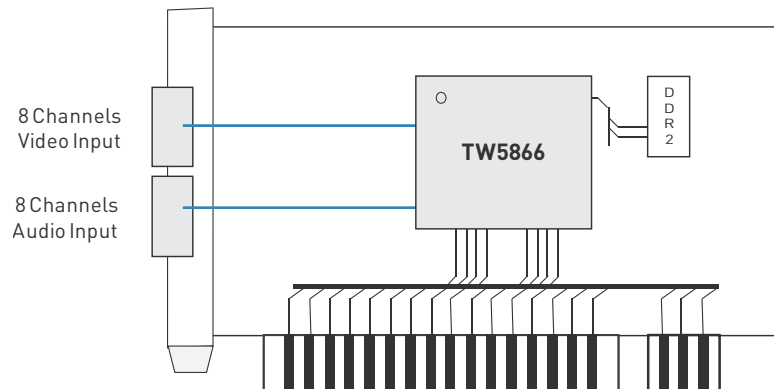
- Channel independence for Encode/Decode
- Selectable VBR / CBR scheme
- VBR provides better video quality
- Proprietary algorithm for accurate CBR
- Dual stream H.264 / JPEG encoding
- Network sub-stream support



TW2809 Block Diagram

**TW5866: 9D1 H.264 CODEC with 8-ch A/V decoder**

- Real time H.264/MJPEG BP CODEC
  - Real time 1080p/30 enc/dec
  - 9-CH D1 encoding
  - 8-CH D1 decoding
- Integrated analog decoders
  - 8 channels of D1 decoding
  - High auality 4H comb filters
- Analytics engine (per channel)
- Programmable motion detection
  - Night detection
  - Blindness detection

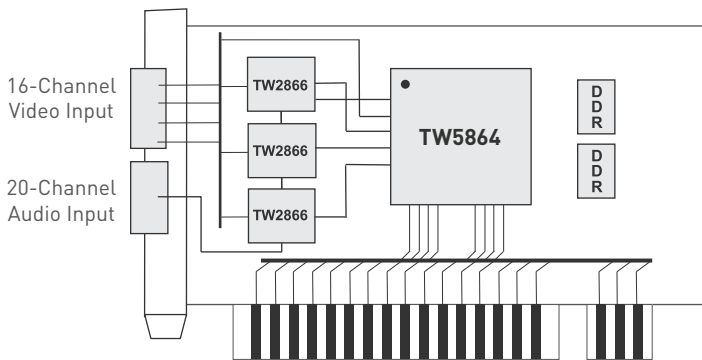


8 D1 H.264 Hardware Compression PC DVR Card

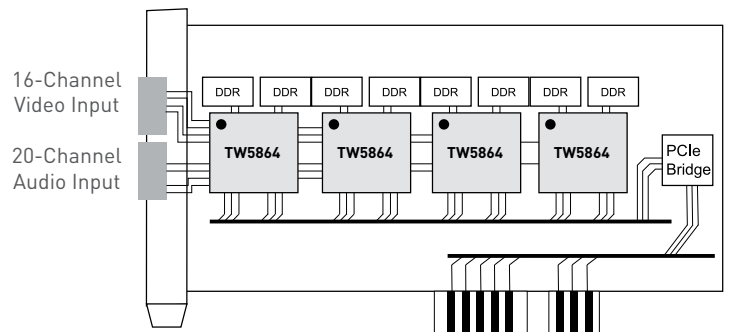
**TW5864: 5 D1 H.264 encoder with 4-ch A/V decoder**

The World's First Mixed Signal H.264 Technology.

- 4-CH analog video decoder
- 5 D1 H.264 encoder engine
- Built-in motion adaptive de-interlacer
- Integrated video analytics engine
- Motion JPEG encoder
- 5-CH audio ADC and 1-CH DAC
- G.726 ADPCM audio CODEC
- 66MHz PCI interface support
- BT.656 line interleave output
- Package: 352 BGA



16-Channel CIF (480fps NTS / 400fps PAL)



16-Channel D1 (480fps NTSC / 400fps PAL)